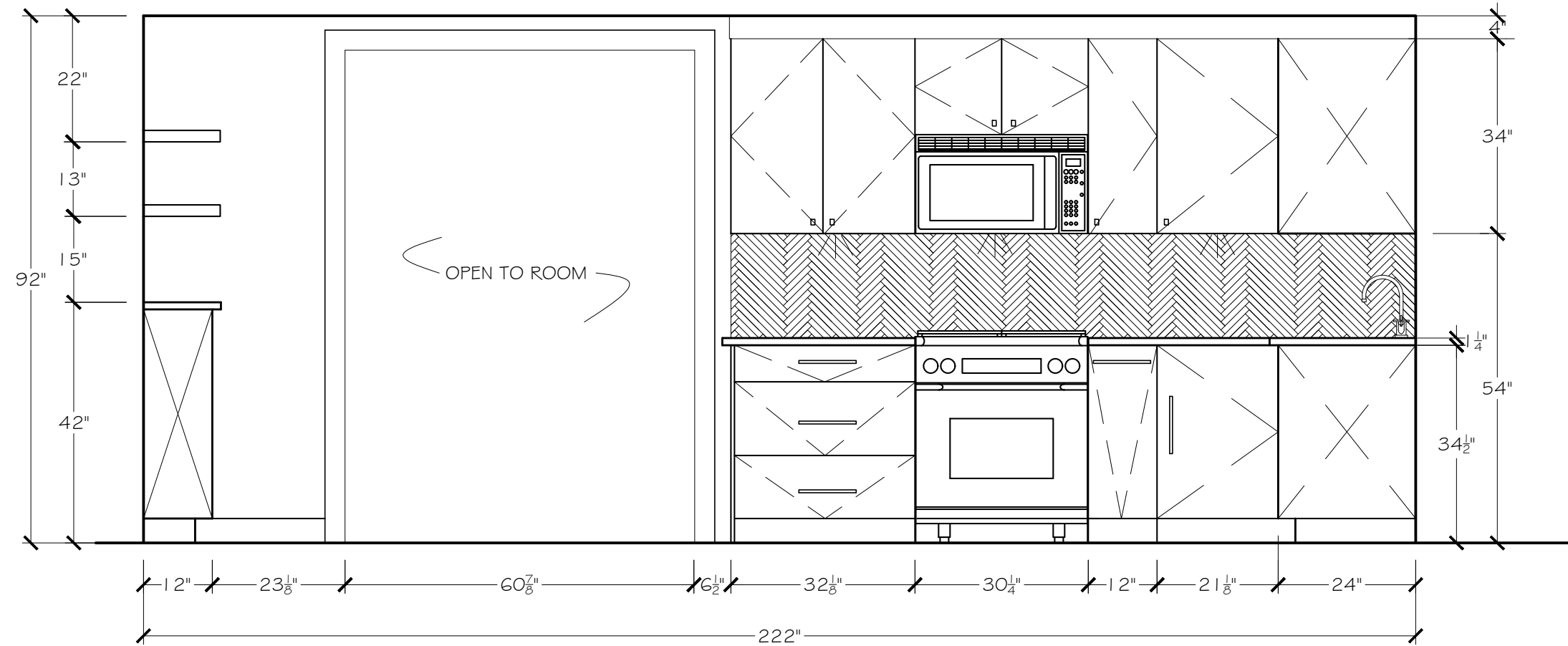


NOT FOR CONSTRUCTION/ FOR BIDDING ONLY



A PROPOSED KITCHEN ELEVATION
SCALE: 1/2" = 1'-0"

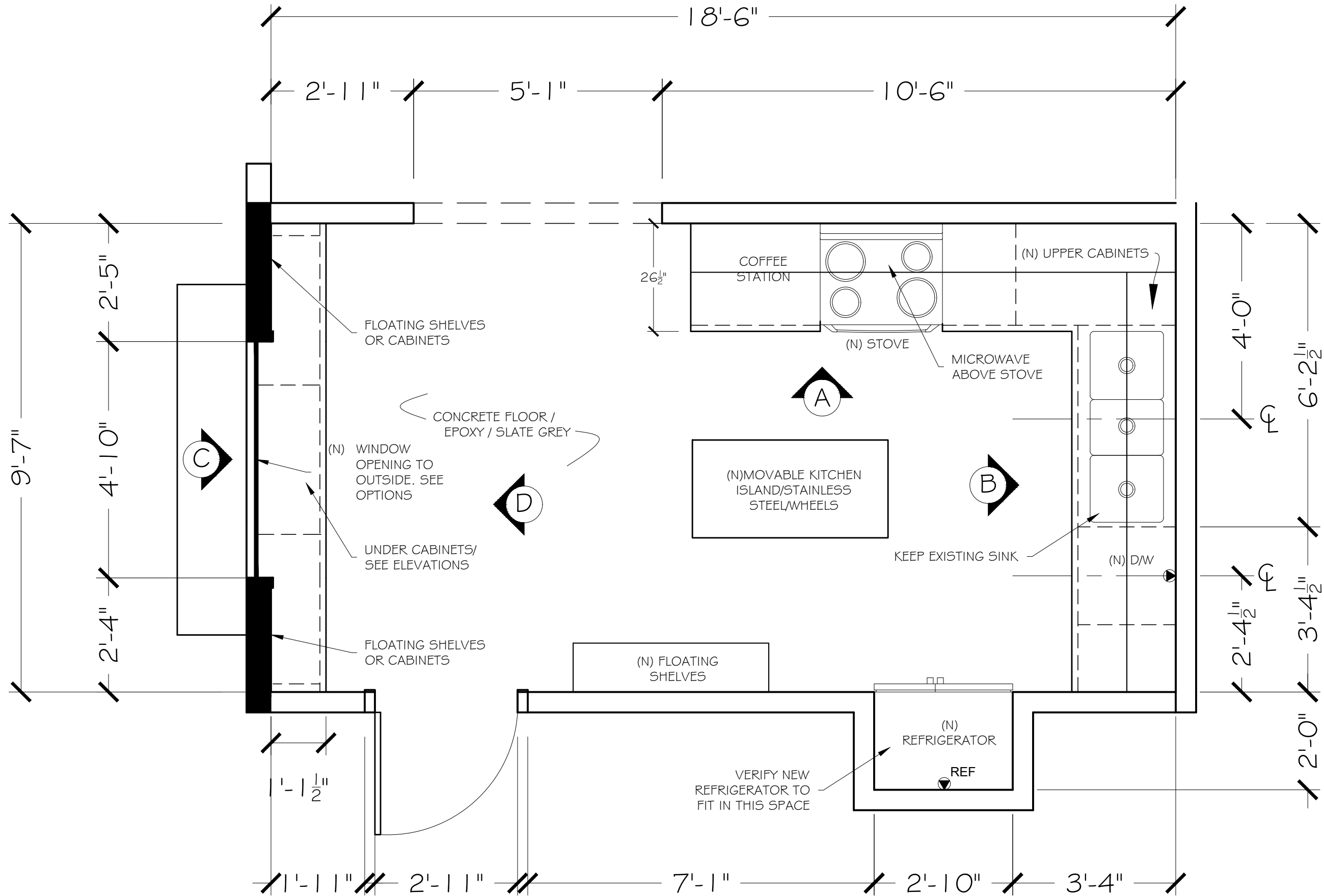
CRAWING INTERIORS
KITCHEN AND BATHROOM & DESIGN, INC
P O BOX 334, ISSAQUAH, WA 98027

REVISION DATES / DESIGNER	
START DATE:	09-11-21/SD
REVISED:	REV2
REVISED:	REV3
REVISED:	REV4
REVISED:	REV5
REVISED:	REV6

LAURA FORD
MIRRORMONT CLUBHOUSE
2550 SE MIRRORMONT DRIVE
ISSAQUAH, WASHINGTON

SHEET SET
A1.2
PROPOSED FLOOR PLAN

09-11-21



A PROPOSED KITCHEN FLOOR PLAN
SCALE: 1/2" = 1'-0"

NOT FOR CONSTRUCTION/ FOR BIDDING ONLY

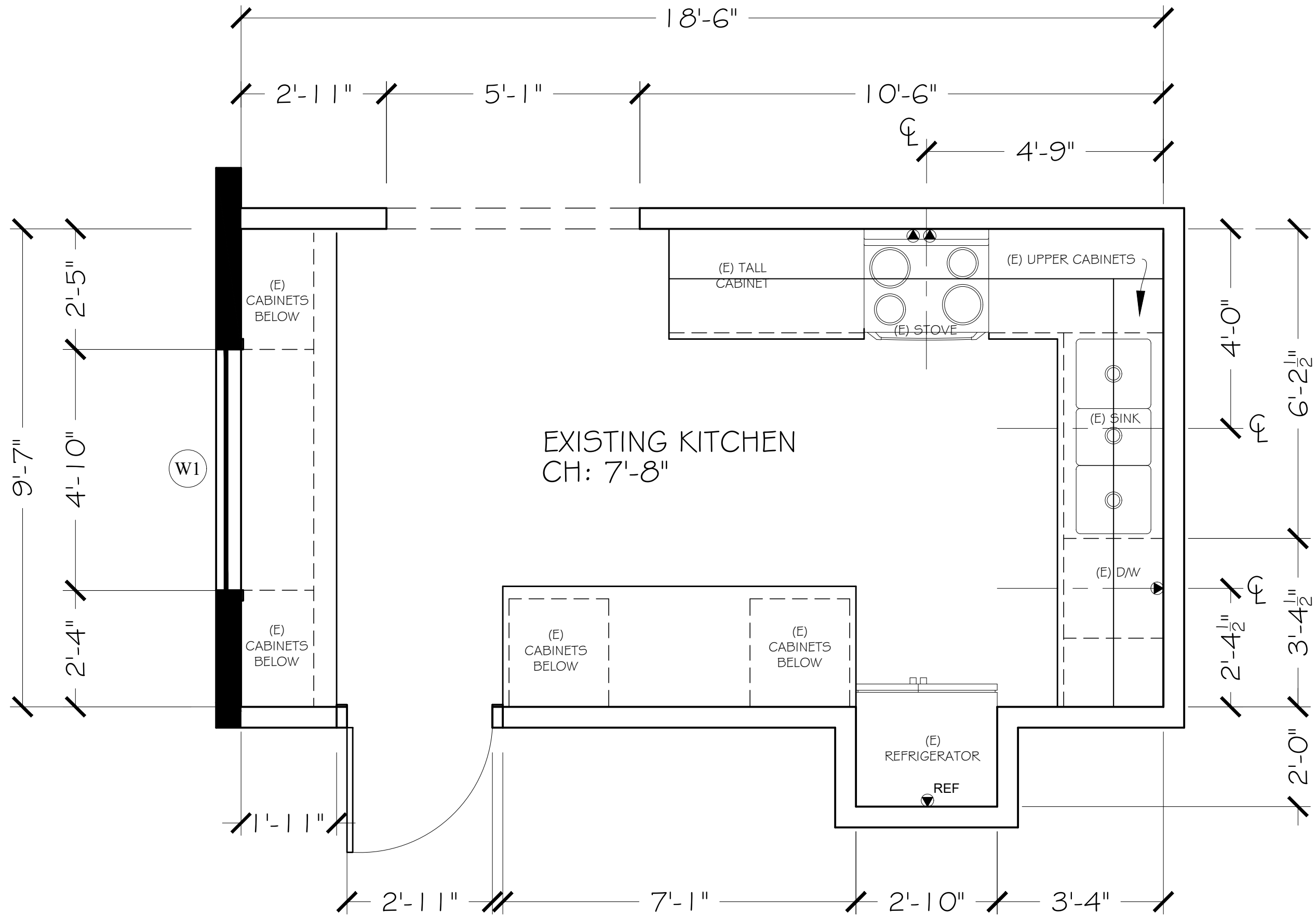
CRAWING INTERIORS
KITCHEN AND BATHROOM & DESIGN, INC
P O BOX 334, ISSAQUAH, WA 98027

REVISION DATES / DESIGNER	
START DATE:	09/09/21/SD
REVISED:	REV2
REVISED:	REV3
REVISED:	REV4
REVISED:	REV5
REVISED:	REV6

LAURA FORD
MIRRORMONT CLUBHOUSE
2550 SE MIRRORMONT DRIVE
ISSAQUAH, WASHINGTON

SHEET SET
A1.1
PROPOSED FLOOR PLAN

09-11-21



CRAWING INTERIORS
 KITCHEN AND BATHROOM & DESIGN, INC
 P O BOX 334, ISSAQUAH, WA 98027

REVISION DATES / DESIGNER	
START DATE:	09/09/21-SD
REVISED:	REV2
REVISED:	REV3
REVISED:	REV4
REVISED:	REV5
REVISED:	REV6

LAURA FORD
 MIRRORMONT CLUBHOUSE
 2550 SE MIRRORMONT DRIVE
 ISSAQUAH, WASHINGTON

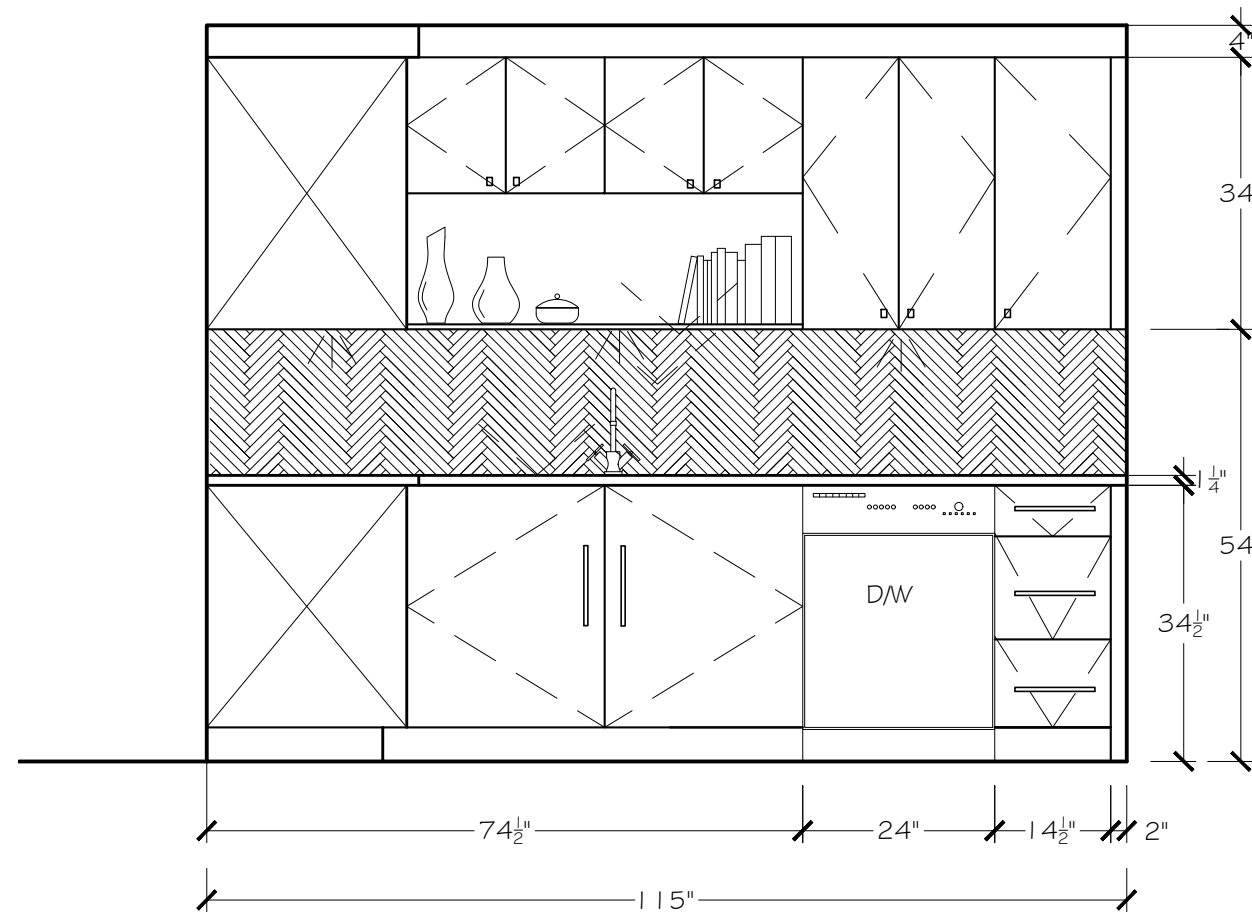
A EXISTING KITCHEN FLOOR PLAN
 SCALE: 1/2" = 1'-0"

NOT FOR CONSTRUCTION/ FOR BIDDING ONLY

SHEET SET
A1.0
 AS-BUILT_FLOOR PLAN

09-09-21

NOT FOR CONSTRUCTION/ FOR BIDDING ONLY



B PROPOSED KITCHEN ELEVATION
SCALE: 1/2" = 1'-0"

CRAWING INTERIORS
KITCHEN AND BATHROOM & DESIGN, INC
P O BOX 334, ISSAQUAH, WA 98027

REVISION DATES / DESIGNER

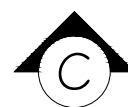
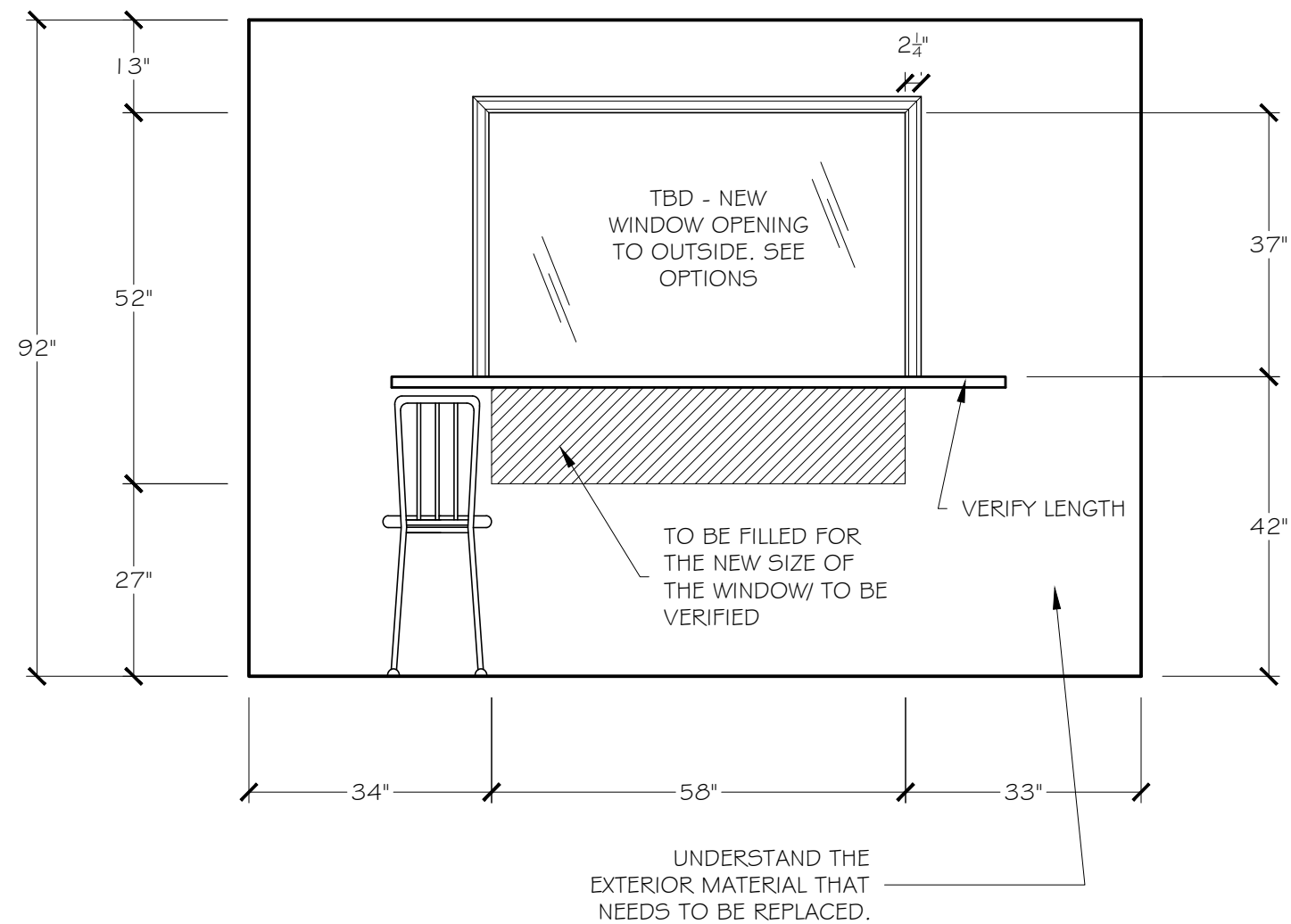
START DATE: 09-11-21/SD
REVISED: REV2
REVISED: REV3
REVISED: REV4
REVISED: REV5
REVISED: REV6

LAURA FORD
MIRRORMONT CLUBHOUSE
2550 SE MIRRORMONT DRIVE
ISSAQUAH, WASHINGTON

SHEET SET
A1.3
PROPOSED FLOOR PLAN

09-11-21

NOT FOR CONSTRUCTION/ FOR BIDDING ONLY



PROPOSED ELEVATION OUTSIDE CONCESSION WINDOW

SCALE: 1/2" = 1'-0"

CRAVING INTERIORS
KITCHEN AND BATHROOM & DESIGN, INC
P O BOX 334, ISSAQUAH, WA 98027

REVISION DATES / DESIGNER

START DATE: 09-11-21/SD

REVISED: REV2

REVISED: REV3

REVISED: REV4

REVISED: REV5

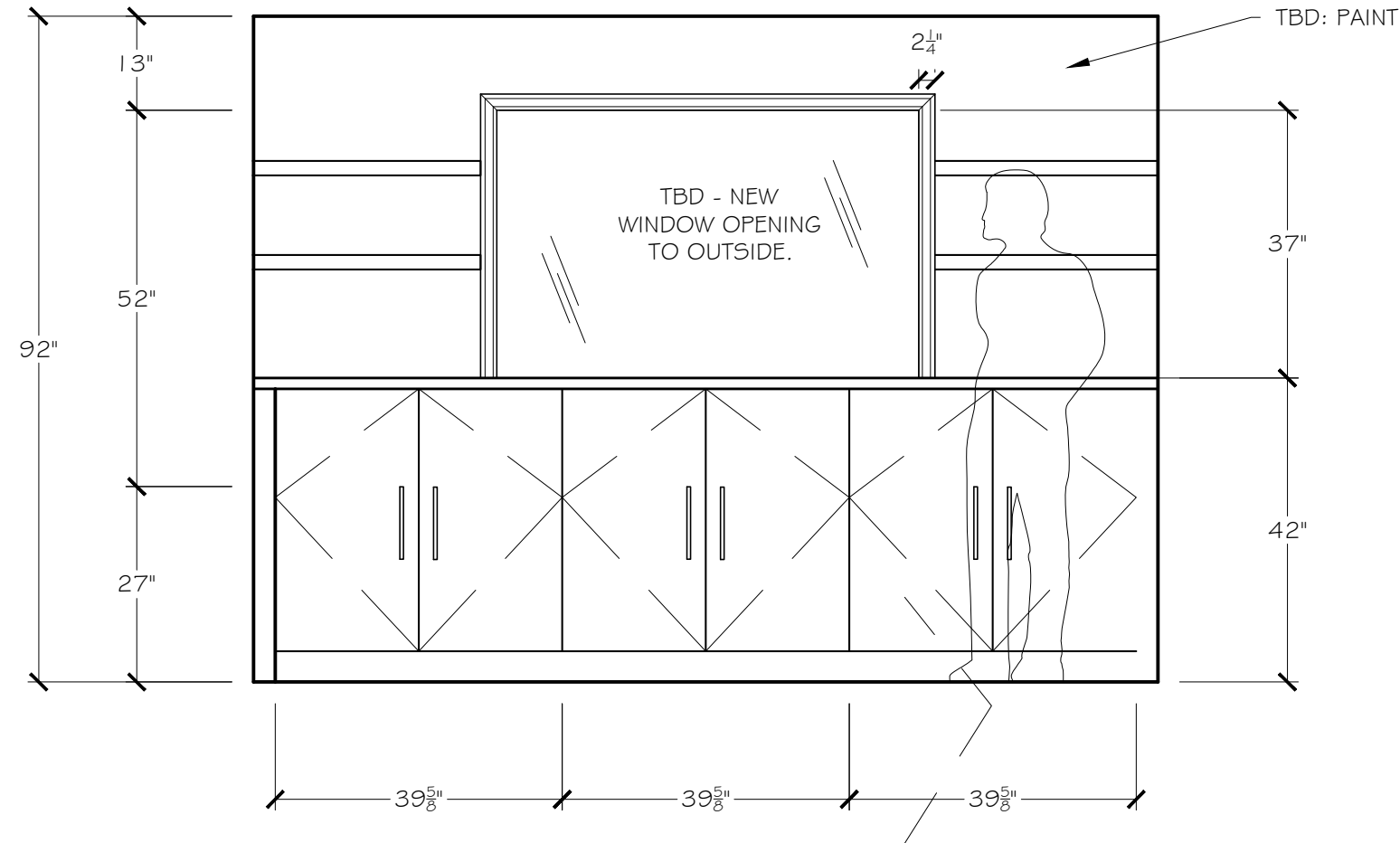
REVISED: REV6

LAURA FORD
MIRRORMONT CLUBHOUSE
2550 SE MIRRORMONT DRIVE
ISSAQUAH, WASHINGTON

SHEET SET
A1.4
PROPOSED FLOOR PLAN

09-11-21

NOT FOR CONSTRUCTION/ FOR BIDDING ONLY



PROPOSED ELEVATION INSIDE CONCESSION WINDOW

SCALE: 1/2" = 1'-0"

CRAWING INTERIORS
 KITCHEN AND BATHROOM & DESIGN, INC
 P O BOX 334, ISSAQUAH, WA 98027

REVISION DATES / DESIGNER

START DATE:	09-11-21/SD
REVISED:	REV2
REVISED:	REV3
REVISED:	REV4
REVISED:	REV5
REVISED:	REV6

LAURA FORD
 MIRRORMONT CLUBHOUSE
 2550 SE MIRRORMONT DRIVE
 ISSAQUAH, WASHINGTON

SHEET SET
A1.5
 PROPOSED FLOOR PLAN

09-11-21